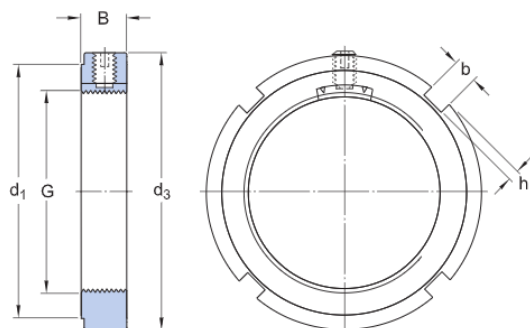


KMK 5 Lock nut

Technical Specification



Dimensions



G	M 25x1.5	Thread
d_3	38 mm	Outside diameter
B	9 mm	Width
d_1	34 mm	Diameter locating side face
b	5 mm	Width locating slot
h	2 mm	Depth locating slot

Calculation data

Axial static load carrying capacity 31.5 kN

Mass

Mass lock nut 0.03 kg

Mounting information

Associated spanner HN 5-6

Set screw size M5

Recommended grub screw tightening torque 4 N·m